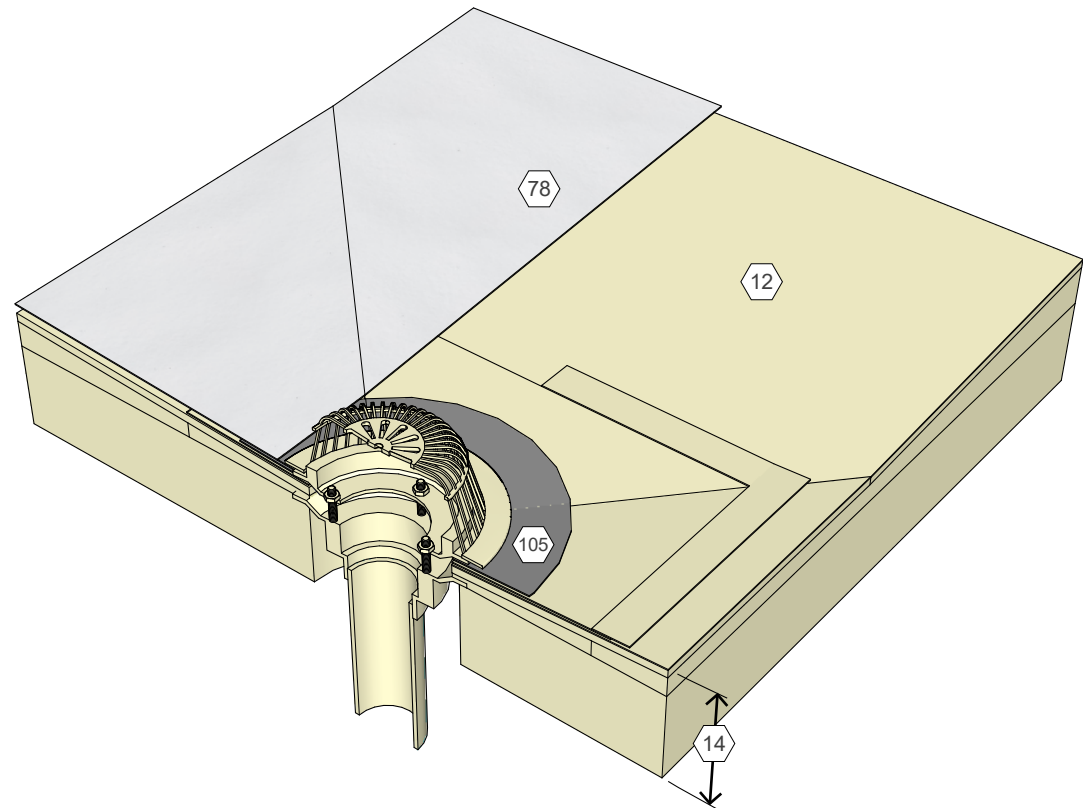
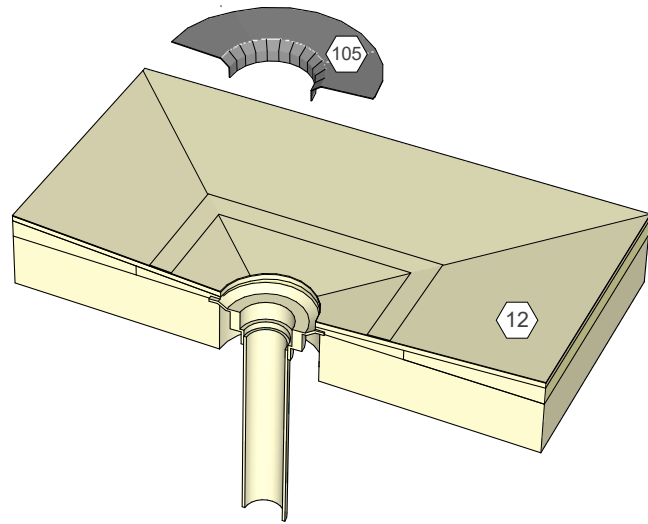
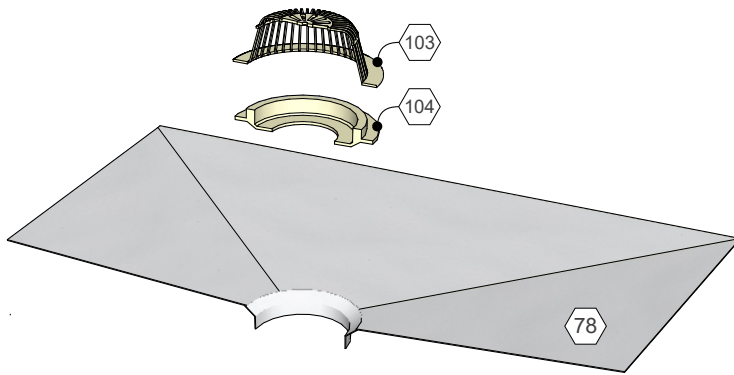


### KEY NOTES

- 12 Existing MB or Smooth BUR
- 14 Existing Structural Deck and Insulation Assembly
- 78 Alumanation 301
- 103 Metal Drain Strainer
- 104 Clamping Ring
- 105 Geogard Target Patch



Alumanation 301 Restoration Detail, MB or Smooth BUR, Roof Drain  
Detail 19222